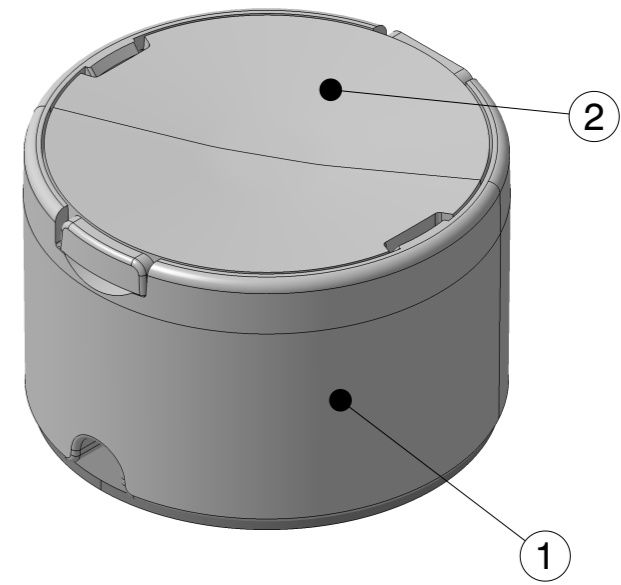
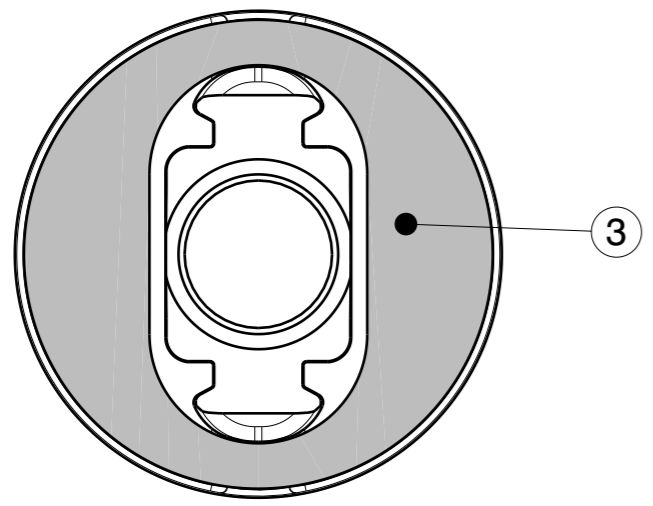


H G F E D C B A

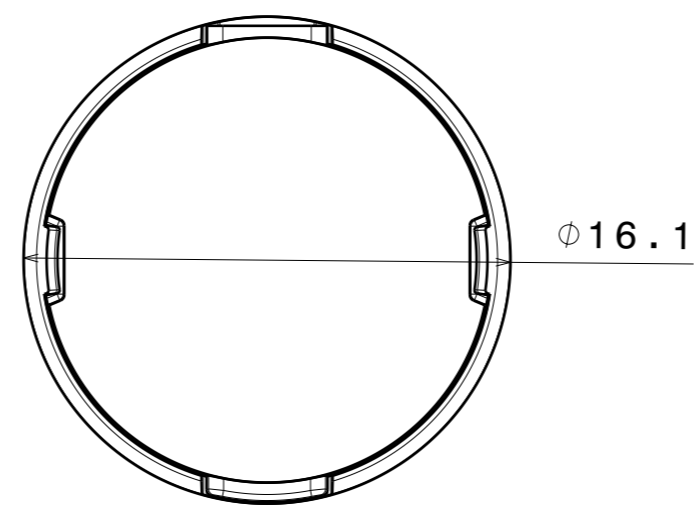
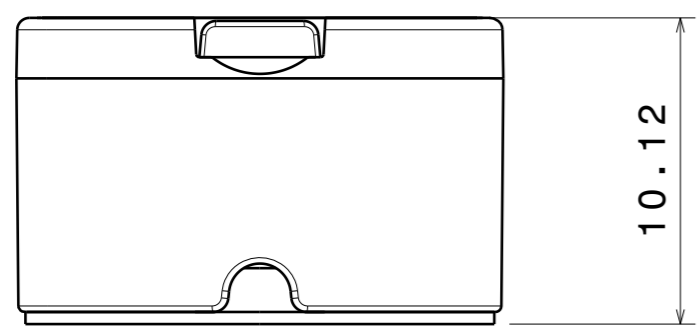
4

4



3

3



2

2

INDEX	PART NO	DESCRIPTION	MATERIAL	COLOUR
1	C11849	TINA2-0-PLUS-HLD-WHT	PC-Makrolon 2407	white
2	C12044	TINA2-0-PLUS-D	PMMA 8N	clear
3	C14480	TINA-TAPE3	PU 2-sided adhesive foam tape	black

LEGEND

1	Inspectional dimensions marked with:
2	See CAD file for detailed geometry information. Surface finishing markings are only shown in drawing level.
Surface finish:	-
Finish specifications:	-

Tolerances if not otherwise shown
According to DIN ISO 2768-1
Linear measures:
Up to 30mm class F, otherwise class M.
According to DIN ISO 2768-2
Form and position: class K
Control for SPC marked dimensions.

LEDiL LediL Oy
Salorankatu 10
FIN 24240 SALO
Finland

THIRD ANGLE PROJECTION:

DRAWING TITLE
CA12046_TINA2-D

DRAWN BY
arsi.siuwatti
DATE
25.3.2013

CHECKED BY
lauri.stenberg
DATE
27.05.2014

DESIGNED BY
DATE

SIZE	PART NUMBER	REV
A3	CA12046	001

LEDiL PROPRIETARY This drawing is the property of LEDiL Oy. It may not be reproduced, copied or communicated without a written agreement with LEDiL Oy.

SCALE	4:1	WEIGHT	2,0 g	SHEET	1/1
-------	-----	--------	-------	-------	-----

H G F E D C B A

1

1